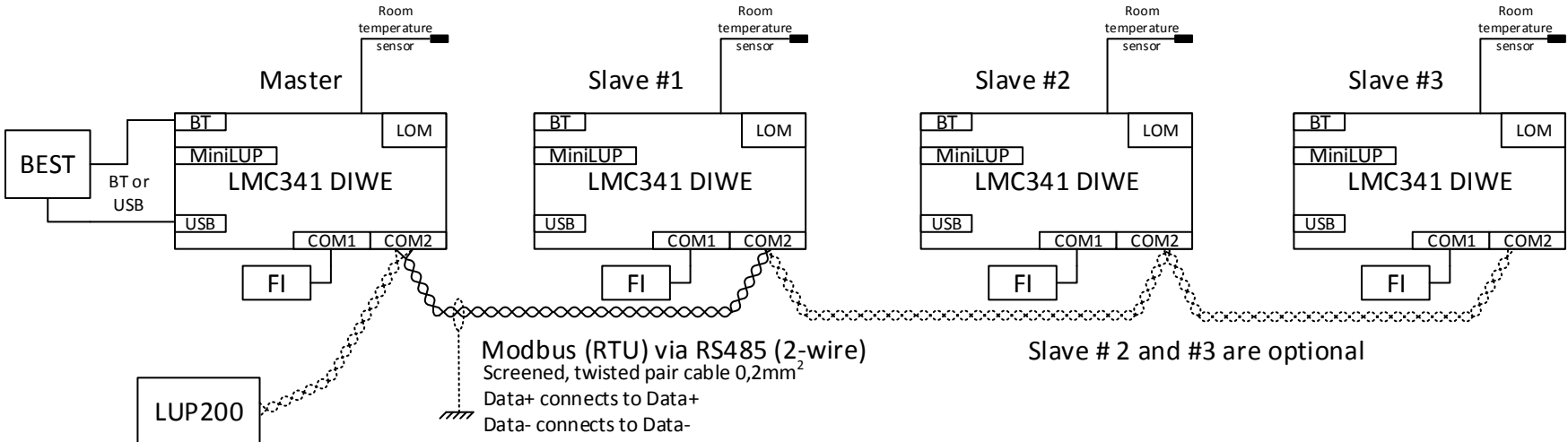
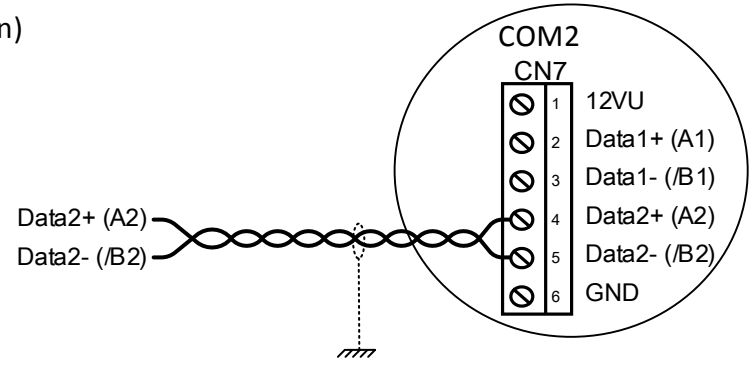


ECOSTAR LHV5E/7E master/slave network



LUP200
(Option)



There should be installed an 120 Ohm termination resistor at the two ends of the Modbus connection

